

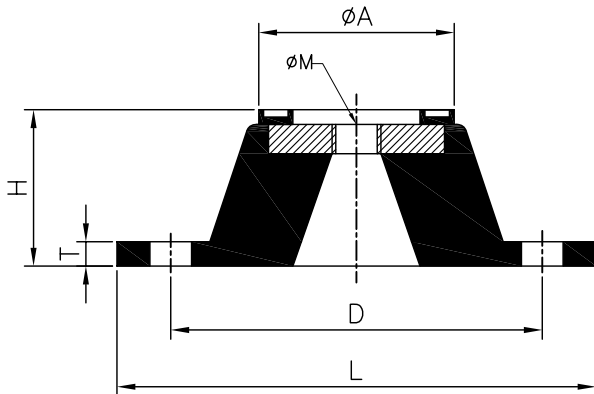
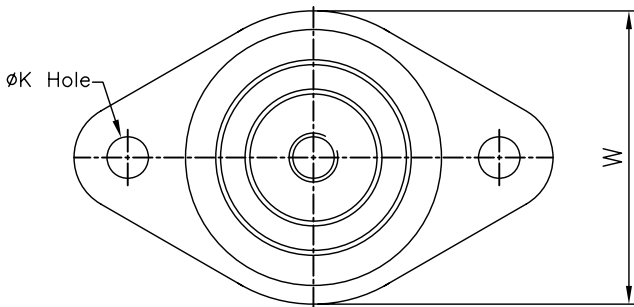
GR BOND COMBI MOUNTS are suitable for attenuation of high frequency of vibration and noise emitting machineries particularly axial and Centrifugal fans. High resilience rubber with low dynamic to static stiffness ratio ensures maximum efficiency and good creep performance and long service life.

DESIGN FEATURES

- Moulded in first grade Natural Rubber with integral mild steel base and M.S. threaded top
- Manufactured in four sizes each available in three rubber compounds identified by a colour Spot for different loading capacity
- Static deflection from 5 to 12mm
- Having non skid ribbed base
- Upper fixing bolts are of Standard size as per requirement
- Threaded Top

TYPICAL APPLICATION

- Axial and Centrifugal Fans
- Air Handling units
- Refrigeration Plants
- Pumps, Generators, Air Conditioning Unit
- Rotary and Multi Cylinder Compressors
- Floating Floor
- Isolation of Sensitive Equipment
- Test Rig and Special Purpose Machine



TYPE	DIMENSION (MM) COMBI MOUNT GR-411 To 414							
	H	L	W	D	φA	φM	φK	T
GR 411	28	80	45	60	32	M8	7	5
GR 412	34	98	60	76	45	M10	8.5	6
GR 413	48	140	85	104	61	M12	14	6
GR 414	45	165	110	127	100	M12	14	6
GR 411/B	35	80	45	60	32	M8	7	5
GR 412/B	45	98	60	76	45	M10	8.5	6
GR 413/B	73	140	85	104	61	M12	14	6
GR 414/B	75	165	110	127	100	M12	14	6

PART NO.	COLOUR CODE	MAX LOAD (KG)	STATIC DEFL. (MM)
GR-411-1	BLUE	15	5
GR-411-2	WHITE	30	
GR-411-3	GREEN	55	
GR-411-4	YELLOW	80	
GR-412-1	BLUE	70	6
GR-412-2	WHITE	100	
GR-412-3	GREEN	175	
GR-412-4	YELLOW	250	
GR-413-1	WHITE	145	6
GR-413-2	GREEN	240	
GR-413-3	YELLOW	340	
GR-413-4	RED	500	
GR-414-1	WHITE	650	6
GR-414-2	GREEN	1010	
GR-414-3	YELLOW	1300	
GR-414-4	RED	1850	

PART NO.	COLOUR CODE	MAX LOAD (KG)	STATIC DEFL. (MM)
GR-411/B-1	WHITE	15	8
GR-411/B-2	GREEN	30	
GR-411/B-3	YELLOW	55	
GR-411/B-4	RED	80	
GR-412/B-1	WHITE	70	10
GR-412/B-2	GREEN	100	
GR-412/B-3	YELLOW	175	
GR-412/B-4	RED	250	
GR-413/B-1	WHITE	145	12
GR-413/B-2	GREEN	240	
GR-413/B-3	YELLOW	340	
GR-413/B-4	RED	500	
GR-414/B-1	WHITE	650	12
GR-414/B-2	GREEN	1010	
GR-414/B-3	YELLOW	1300	
GR-414/B-4	RED	1850	