

PILING MOUNTS

Rubber: made of tearhear-resistant material; different degrees of hardness are available for different pplications.

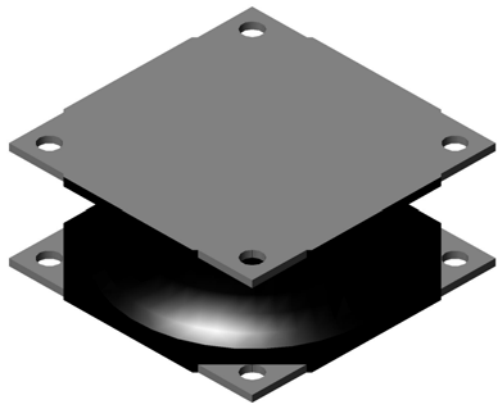
Steel plate: electroplated and enameled to prevent rusting.

Joints: sand-blasting and solid gluing to ensure adhesiveness between rubber and steel plates.

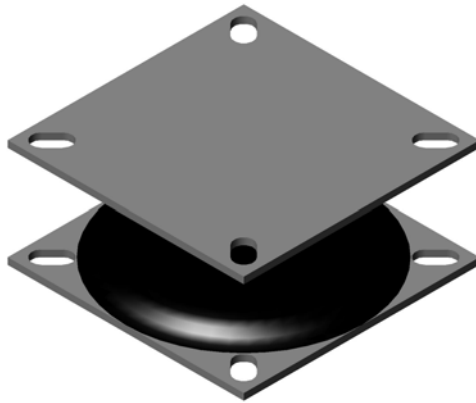
Category: a variety of the existing items and continuing development for more vehicles, machines and equipments.

Committed Service: Ever-SpringTMw elcomes requests for custom-made items and is dedicated to IC0112 I DYNRPR meet customers' standard needs by all means.

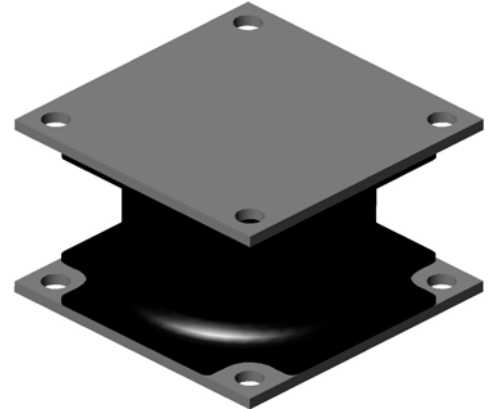
Committed Service: Ever-SpringTMw elcomes requests for custom-made items and is dedicated to IC0112 I DYNRPRC meet customers' standard needs by all means.



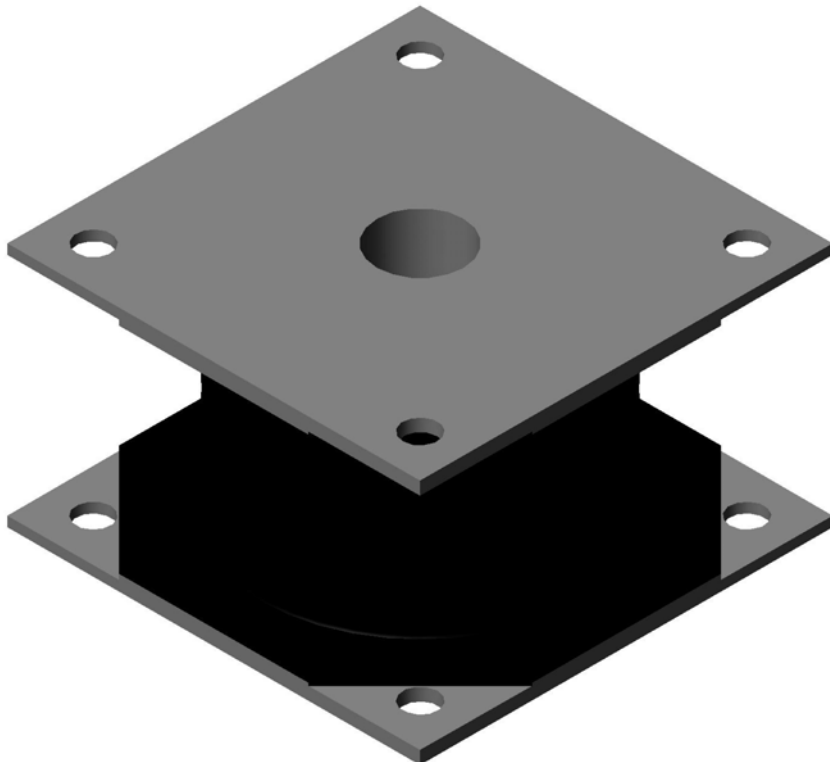
GR-3001 & 3012



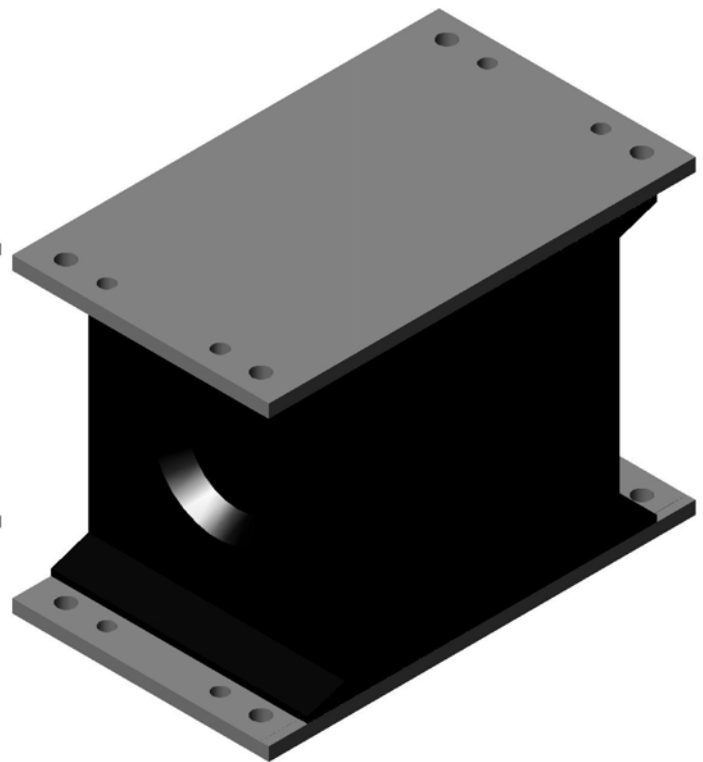
GR-3014



GR-3015

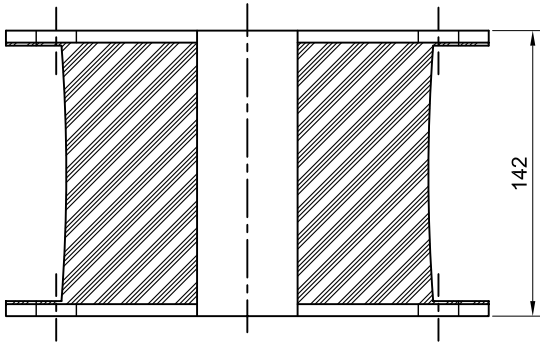
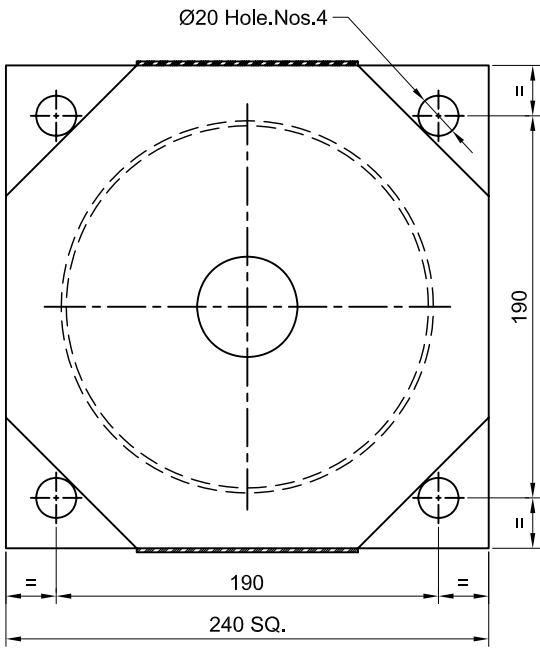


GR-1041

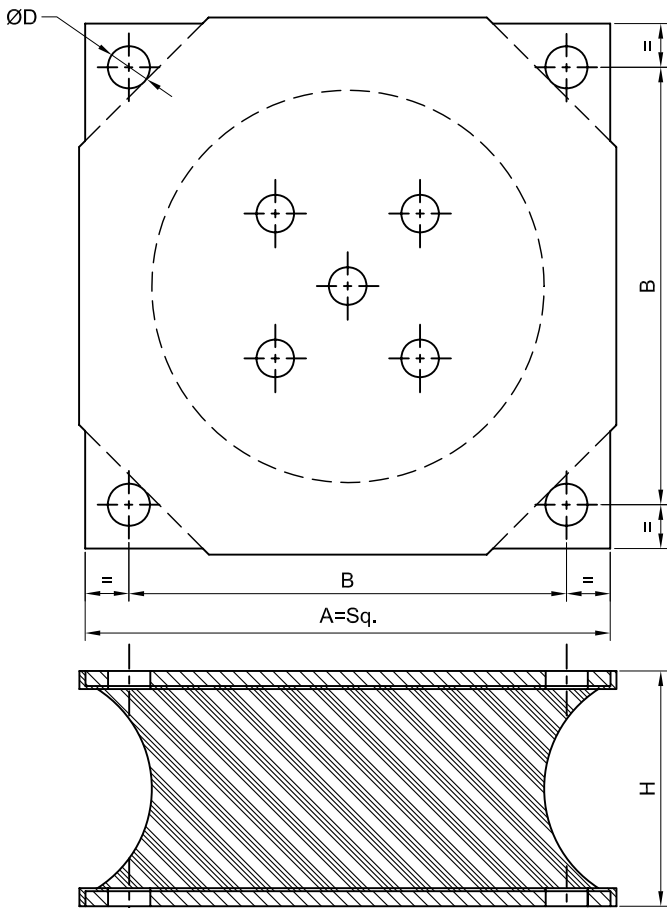
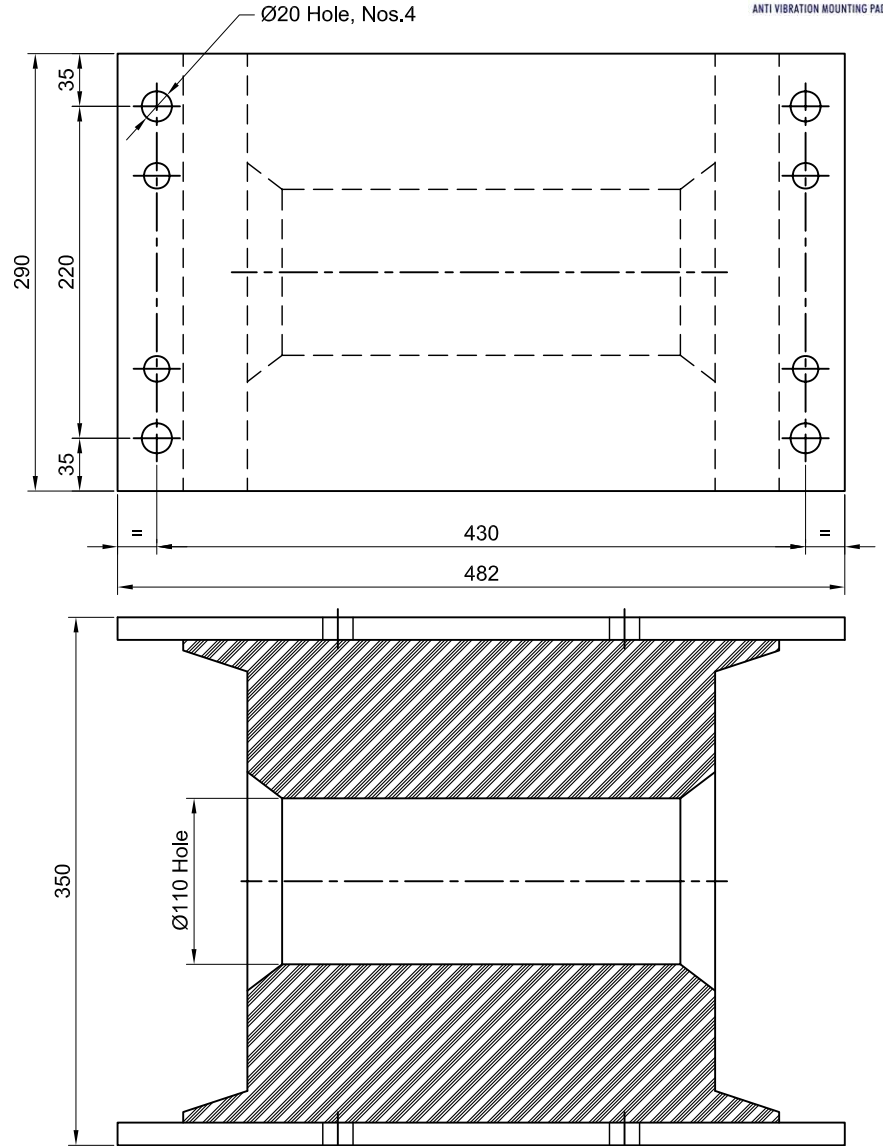


GR-1042

GR-1041



GR-1042



PART NO.	DIMENSION (MM) PILING MOUNT			
	A	B	H	ØD
GR-3001	174	145	78	14
GR-3012	150	127	70	11
GR-3014	175	150	80	25x14 SLOT
GR-3015	164	135	98	15