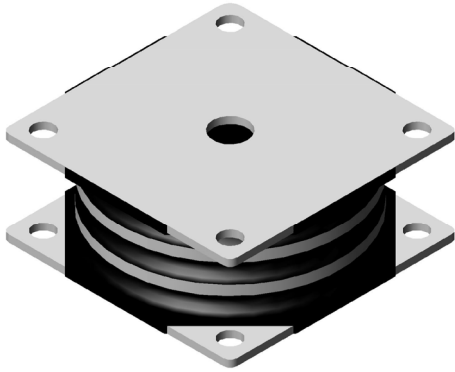
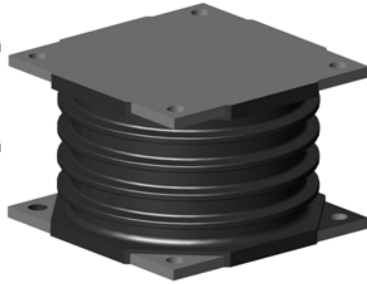


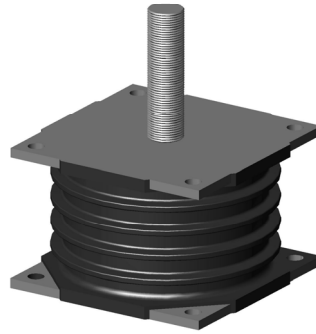
G.R. BOND Crusher mounts are used in Stone crusher, Jaw crusher, Impact crusher Cone crusher etc. The crusher mounts are made as per requirement of individual crushing machine design. The crusher mount reduces the Noise and absorbs Vibration.



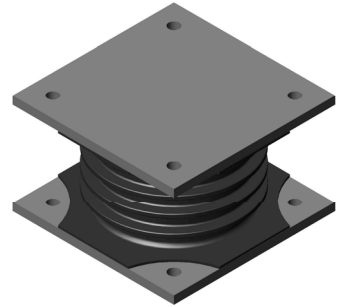
GR - 1031



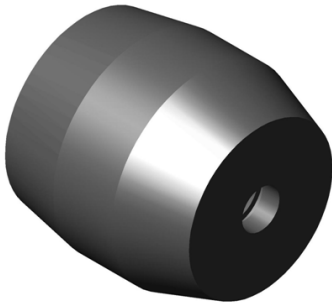
GR - 1032



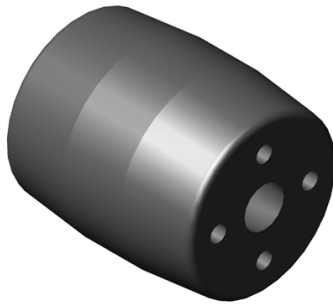
GR - 1032-1



GR - 1033



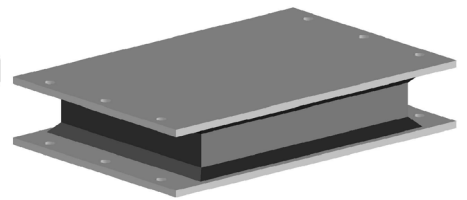
GR - 1034



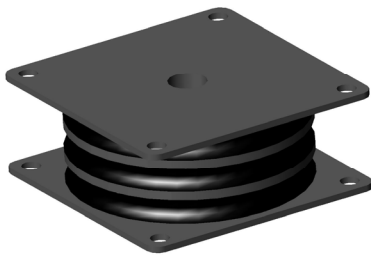
GR - 1035



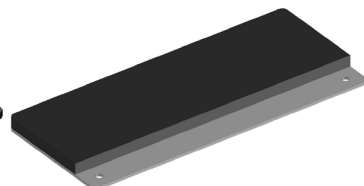
GR - 1036



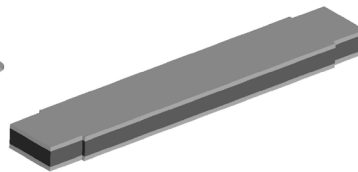
GR - 1037



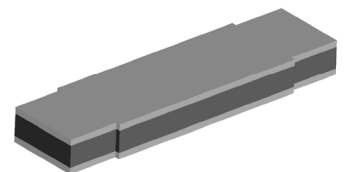
GR - 1038



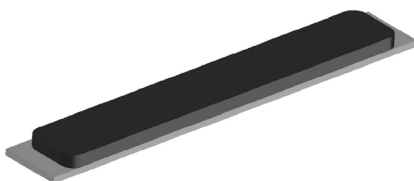
GR - 2041



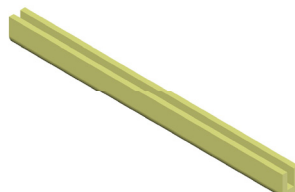
GR - 2042



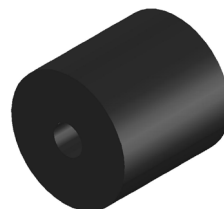
GR - 2043



GR - 2044



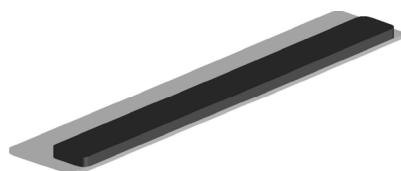
GR - 2046



GR - 2048



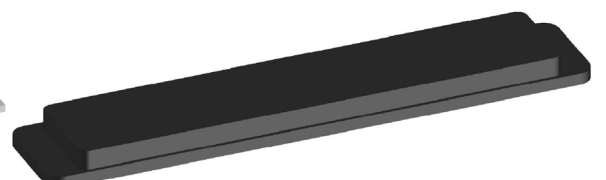
GR - 2049



GR - 2050

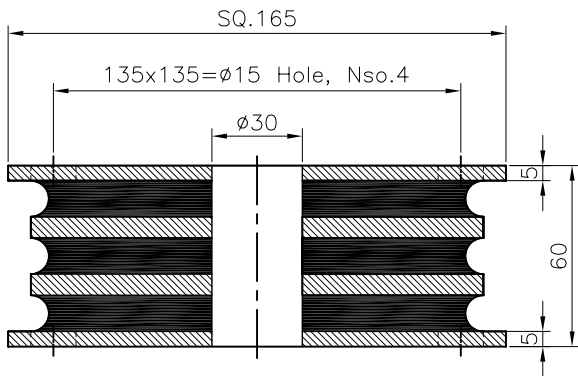


GR - 2051

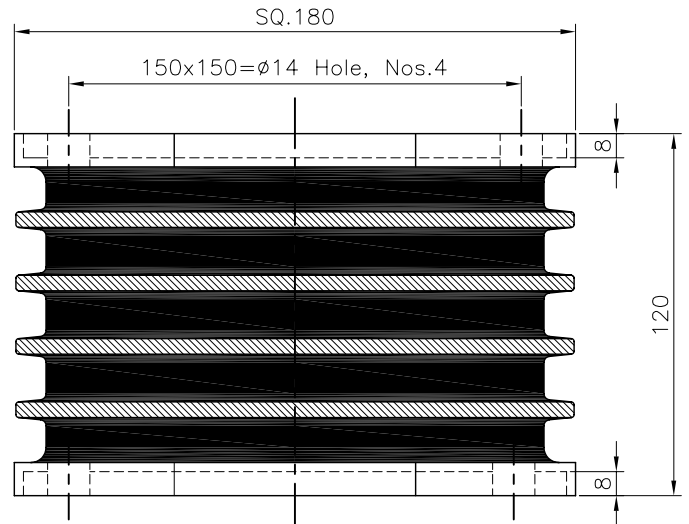


GR - 2052

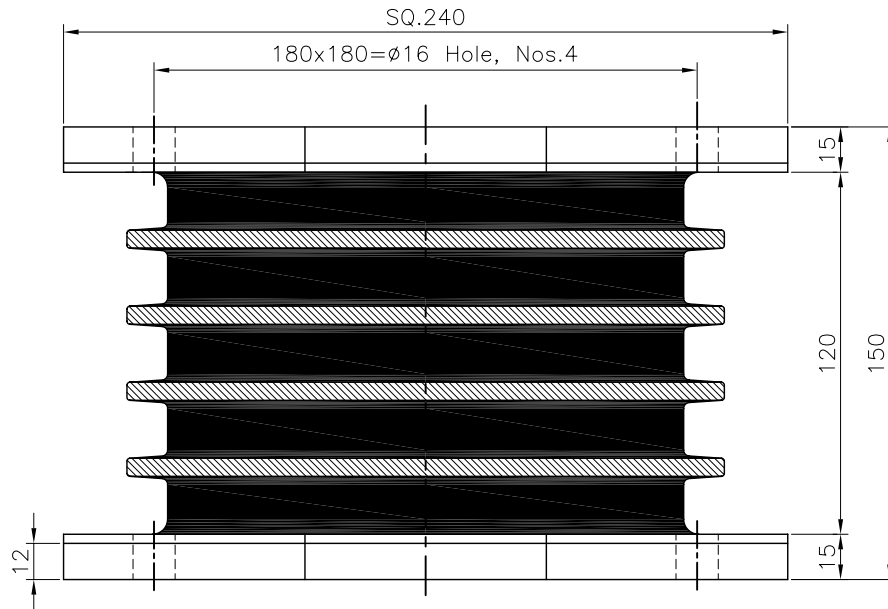
# CRUSHER MOUNTING. - 1031 TO 1035



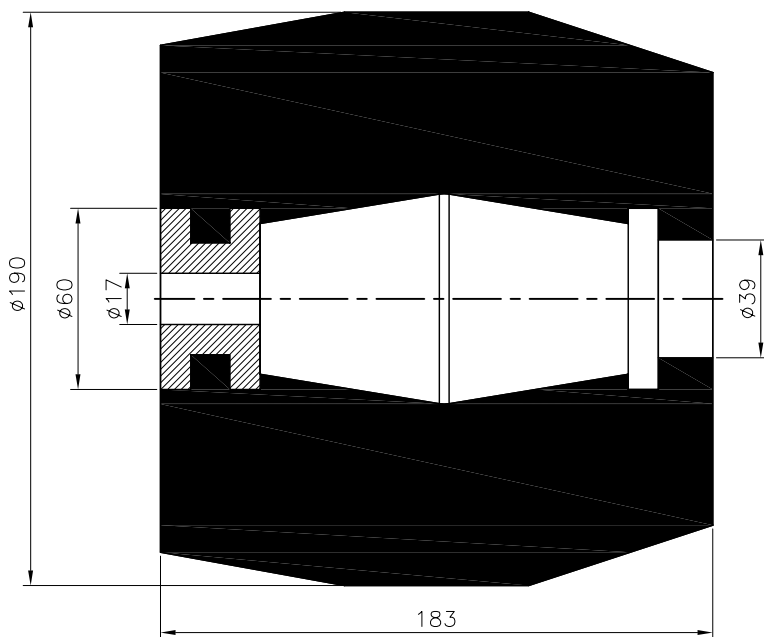
**GR - 1031**



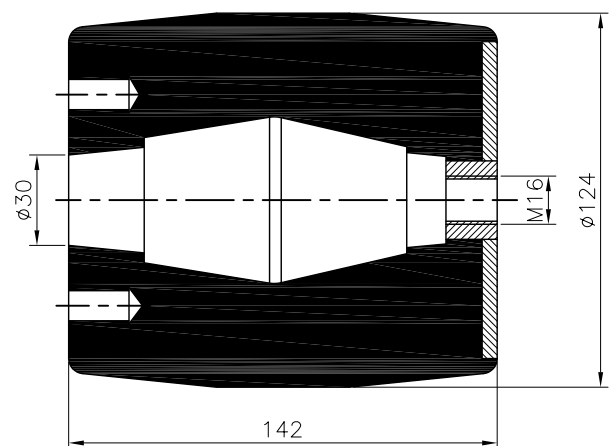
**GR - 1032**



**GR - 1033**

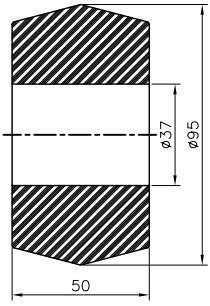


**GR - 1034**

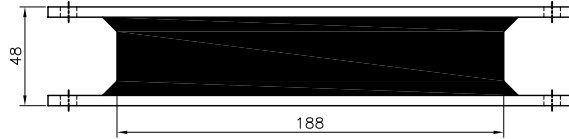
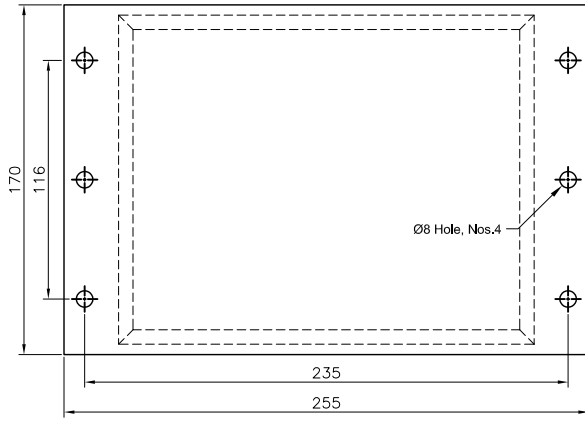


**GR - 1035**

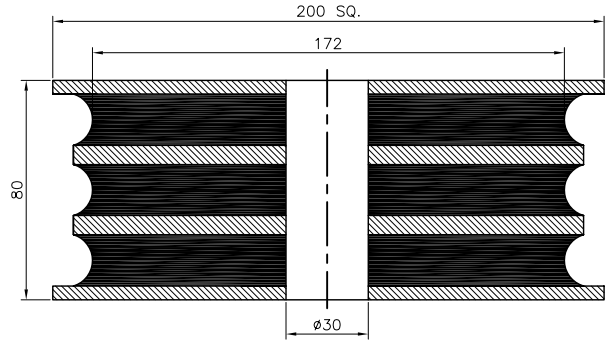
# CRUSHER MOUNTING. - 1036 TO 2044



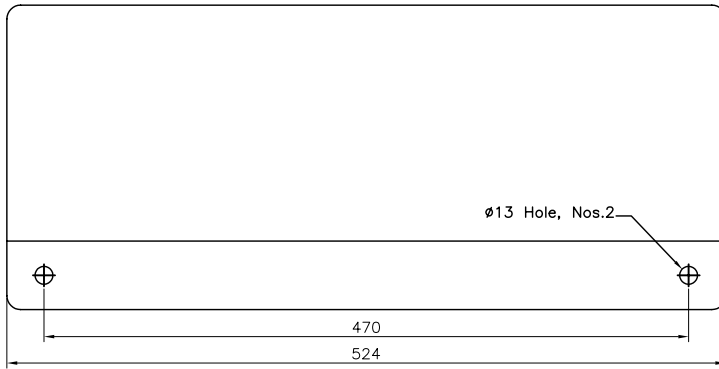
**GR - 1036**



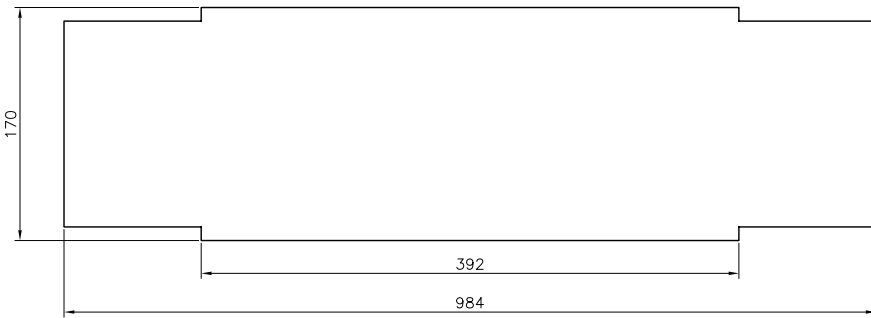
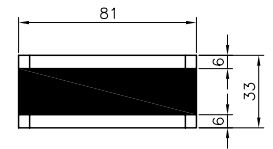
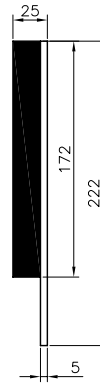
**GR - 1037**



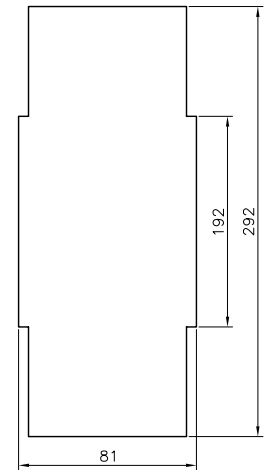
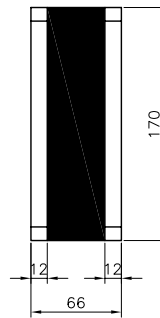
**GR - 1038**



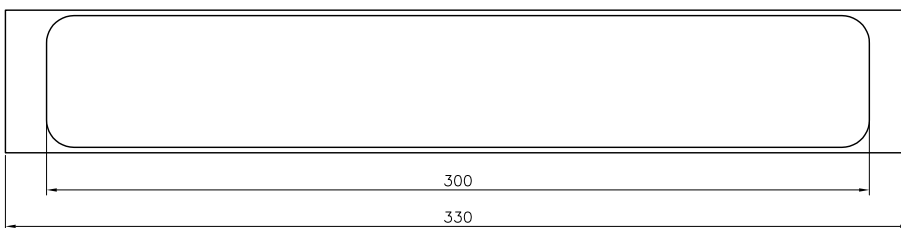
**GR - 2041**



**GR - 2042**



**GR - 2043**



**GR - 2044**

