

CUSHYFOOT MOUNTING GR-131 & 132

Cushyfoot Mounting are manufactured in three standard sizes known as GR-131, GR-132, GR-133 "S". GR BOND Cushyfoot Mounting consists of two sandwich pieces. These two pieces are housed in specially designed robust iron casting. The mountings are protected against oil, physical & mechanical damages. Cushyfoot mountings give insulation against transverse, vertical and longitudinal stiffness, vibration & reduce transmission of vibrations, structure borne noise & shock from a wide range of rotating and reciprocating machineries. Also protecting sensitive apparatus for external disturbances. It gives insulation against out of balance forces. These mounting has very low natural frequencies, high deflection can be achieved by screwing two cushyfoot mounting together.

APPLICATION

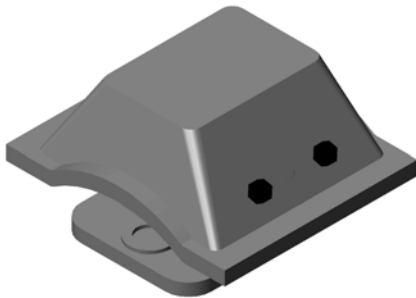
No. need to bolt the machine. No need of grouting in rag bolt. The cushyfoot mounting can be supplied with bottom friction Pads to avoid costly grouting/Anchoring to floor the equipment. Additionally, shifting of the location of the instrumentation with very less effects.

DESIGN FEATURES

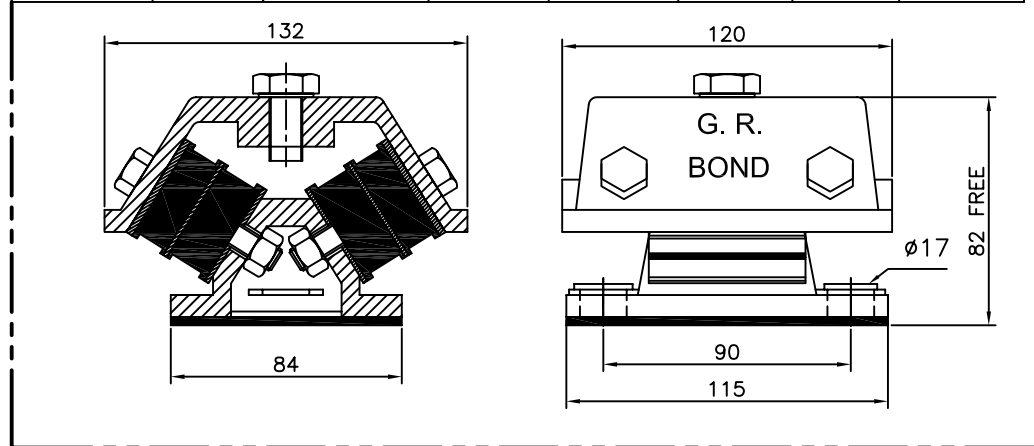
- Inclined rubber sandwich are first grade natural rubber to metal bonded elements
- Rubber sandwich elements are effectively protected by the top casting and its extended skirt.
- Standard C.I. Castings.
- Two different horizontal stiffness axis enable optimum system characteristics & vibration isolation to be achieved using careful orientation of the mounting.
- Static deflection up to 5.2mm with loads from 80 to 320 kg per mountings.

TYPICAL APPLICATION

- Lift head gear
- Engine mountings for Road vehicles
- Mobile construction plant
- Hoppers
- Heavy plants
- Conveyor System



PART NO.	COLOUR CODE	MAX. LOAD CAPACITY (kg)	HARDNESS SHONE	DEFLECTION (mm)	WEIGHT IN KG	TOP FIXING HOLE	
						PLAIN	TAPPED
GR-131-1	BLUE	80	45	5.5		10	M16 & M12
GR-131-2	WHITE	122	55	5.7			
GR-131-3	GREEN	165	65	6.0			
GR-131-4	YELLOW	255	70	5.7			
GR-131-5	RED	320	80	5.2			



PART NO.	COLOUR CODE	MAX. LOAD CAPACITY (kg)	HARDNESS SHONE	DEFLECTION (mm)	WEIGHT IN KG	TOP FIXING HOLE	
						PLAIN	TAPPED
GR-132-1	BLUE	260	45	6			
GR-132-2	WHITE	525	55	5.2			
GR-132-3	GREEN	850	65	5.2	16		
GR-132-4	YELLOW	1020	70	5.2			
GR-132-5	RED	1550	80	5.2			

