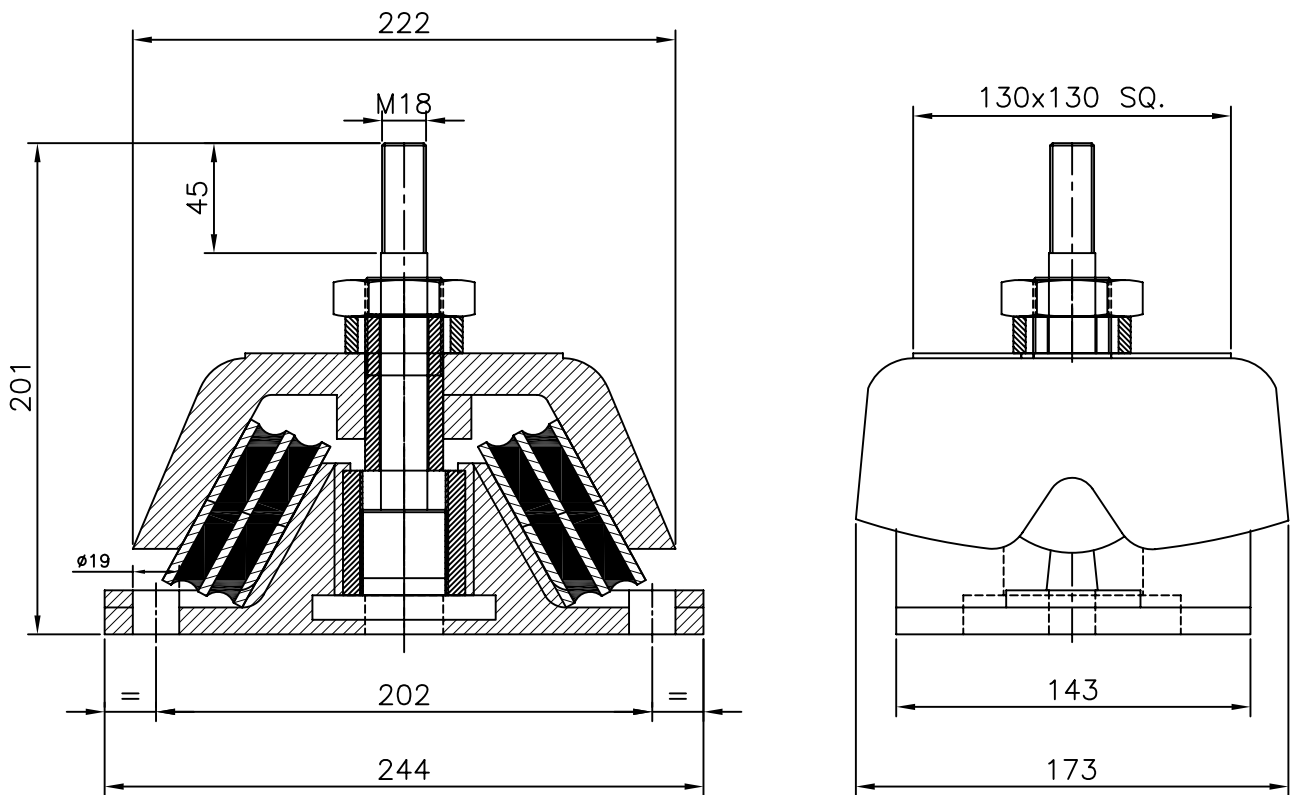
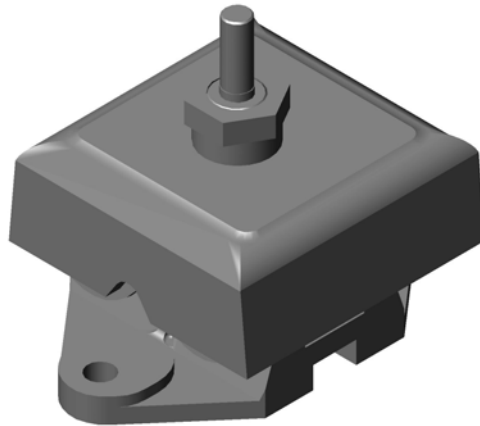


CUSHYFOOT MOUNTING GR-133 "S" TYPE

The GR BOND "S" type cushyfoot mountings are designed for the light weight four cycle and high speed multi cylinder engine. GR BOND Cushyfoot Mounting consists of two sandwich pieces. These two pieces are housed in specially designed robust iron casting. The mountings are protected against oil, physical & mechanical damages. Cushyfoot mounting gives insulation against transverse, vertical and longitudinal stiffness, vibration & reduces transmission of vibration structure borne noise & shock from a wide range of rotating and reciprocating machineries. Also protecting sensitive apparatus external disturbances. It gives insulation against out of balance forces. These mounting has very low natural frequencies up to 5.5Hz & has very good lateral stability.



PART NO.	COLOUR CODE	MAX. LOAD CAPACITY (kg)	HARDNESS SHONE	DEFLECTION (mm)	WEIGHT IN KG	TOP FIXING HOLE	
						PLAIN	TAPPED
GR-133-1	GREEN	350 TO 1500	65	5.2			
GR-133-2	YELLOW	400 TO 1700	75	5.2		19	M18