

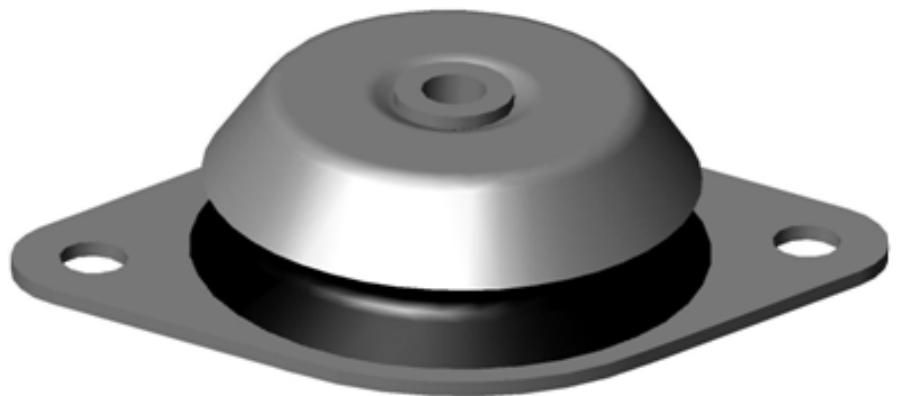
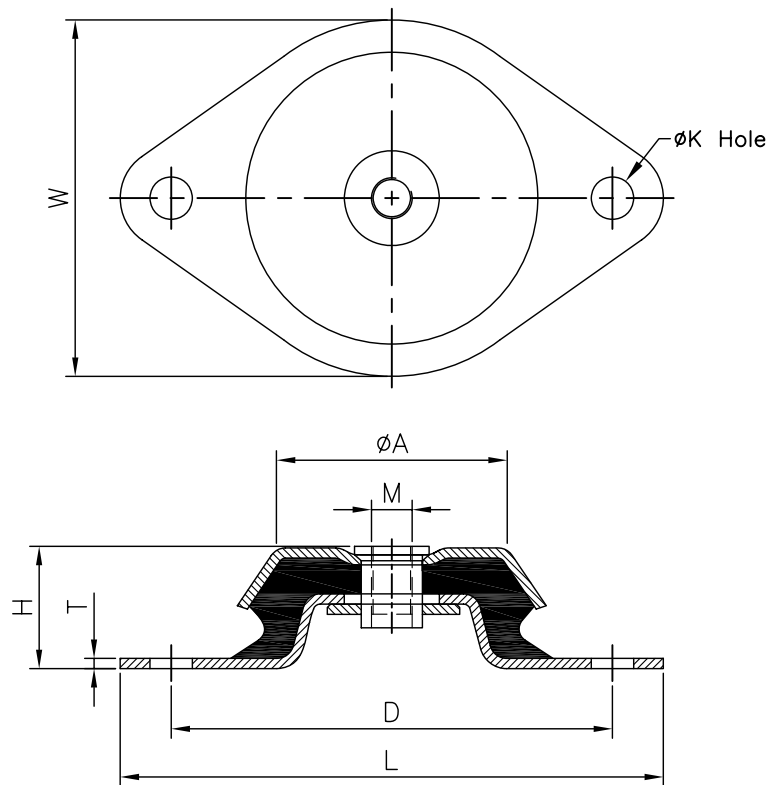
G.R. BOND FOOT MOUNTS are suitable for attenuation of high frequency of vibration and noise emitting machineries particularly Axial and Centrifugal fans. High resilience rubber with low dynamic to static stiffness ratio ensures maximum efficiency and good creep performance and long service life.

DESIGN FEATURES

- Moulded in first grade Natural Rubber with integral mild steel base and M.S. threaded top
- Manufactured in four sizes each available in three rubber compounds identified by a colour Spot for different loading capacity
- Static deflection from 5 to 12mm
- Having non skid ribbed base
- Upper fixing bolts are of Standard size as per requirement
- Threaded Top

TYPICAL APPLICATION

- Axial and Centrifugal Fans
- Air Handling units
- Refrigeration Plants
- Pumps
- Rotary and Multi Cylinder Compressors
- Floating Floor
- Isolation of Sensitive Equipment
- Test Ring and special Purpose Machine



PART NO.	COLOUR CODE	MAX LOAD (KG)	STATIC DEFL. (MM)
GR-811-1	WHITE	50	2
GR-811-2	GREEN	70	
GR-811-3	YELLOW	95	
GR-812-1	WHITE	185	3
GR-812-2	GREEN	255	
GR-812-3	YELLOW	330	
GR-813-1	WHITE	650	3.5
GR-813-2	GREEN	810	
GR-813-3	YELLOW	1083	
GR-814-1	WHITE	775	4
GR-814-2	GREEN	1010	
GR-814-3	YELLOW	1300	

TYPE	DIMENSION (MM) COMBI MOUNT GR-811 To 814								
	H	L	W	D	øA	øM	øK	T	
GR-811	27	80	45	60	28	M8	8	2	
GR-812	34	130	80	100	60	M10	10.5	2.5	
GR-813	36	160	105	130	68	M12	12.5	3	
GR-814	44	195	124	156	105	M16	14x27 Slot	3	