

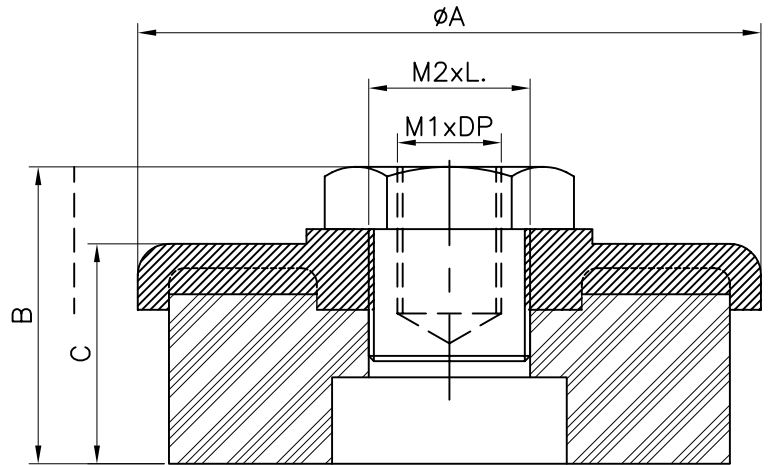
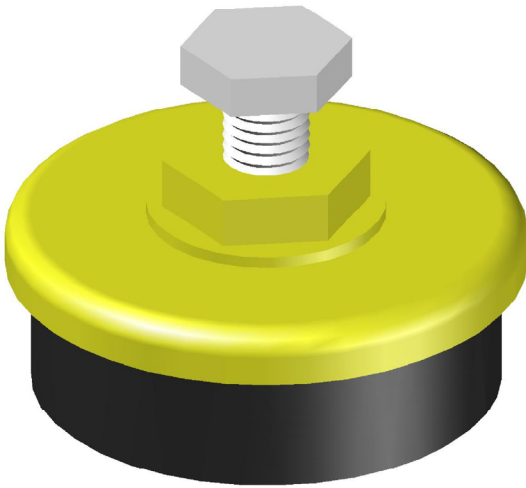
## G.R.BOND MACHINE MOUNT GR-318 TO GR 321,

G.R.BOND Machine mounts are ready to use for Workshop Machineries. No need of foundation Bolt, grouting, anchoring etc. It is very fast for installation of any Workshop Machineries. A height adjustment & precise levelling features are provided. It will provide excellent mobility of machinery layout in workshop. It insulates high frequency vibration, sound & prevent wondering of machineries due to the large area of contact with the floor & keeps the machineries in position firmly. It safe guards the surrounding installed machines from shocks & impacts of installed machineries.

These mounts are used in all places where you need safe machine installation without floor anchorage. It is beneficial on working performance, working condition in the adjacent primises, such as offices & laboratory, are enormously improved.

### APPLICATION

- Punching Machine
- Presses
- Injection Moulding Machine
- Shaping Machine
- Lathe & CNC lathes
- Precision Machine



### MACHINE MOUNT GR-311 TO 314

| DIMENSIONS (mm) | GR-318        | GR-319        | GR-320        | GR-321         |
|-----------------|---------------|---------------|---------------|----------------|
| ØA              | 85            | 120           | 160           | 200            |
| B               | 40            | 50            | 70            | 63             |
| C               | 30            | 38            | 50            | 68             |
| M1 X D          | M14 X 20 DEEP | M20 X 30 DEEP | M26X 40 DEEP  | M34 X 50 DEEP  |
| M2 X D          | M22 X 18L.    | M38 X 24 L.   | M50 X 40 L.   | M62 X 50 DEEP  |
| LOAD CAP.       | 50-450 Kgs.   | 400-1000 Kgs. | 800-1900 Kgs. | 1500-3800 Kgs. |

| APPLICATION                  | LOADS IN KG. |        |        |        |
|------------------------------|--------------|--------|--------|--------|
|                              | GR-318       | GR-319 | GR-320 | GR-321 |
| MAX STATIC LOAD              | 575          | 1780   | 2900   | 4800   |
| MACHINE TOOLS                | 400          | 1080   | 2000   | 3400   |
| GRINDING M/C (ROTATING)      | 325          | 850    | 1400   | 2400   |
| GRINDING M/C (RECIPROCATING) | 200          | 425    | 725    | 1250   |
| LATHE                        | 200          | 425    | 725    | 1250   |
| MILLING M/C                  | 200          | 425    | 725    | 1250   |
| POWER PRESSES (STROKES/MIN)  | 200          | 120    | 250    | 700    |
|                              | 160          | 140    | 280    | 850    |
|                              | 125 AND LESS | 200    | 410    | 1250   |