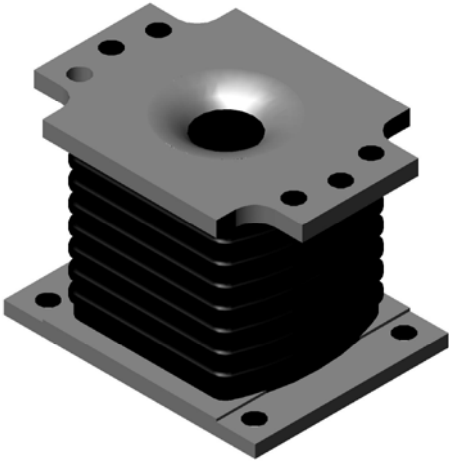
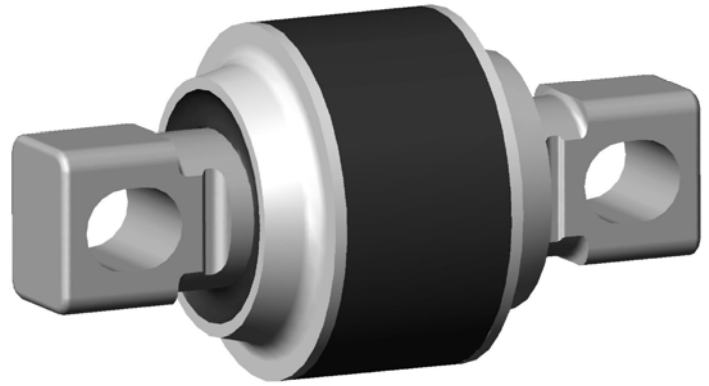


G.R.Bond Manufactures Truck parts such as Rubber Mounts, Tork Rod Bush, Engine Mounts, Rubber Spring for Tipper, Dumpers, heavy loaded trucks engines etc. (VOLVO,SCANIA, AMW)



GR-4051 SPRING MOUNTS



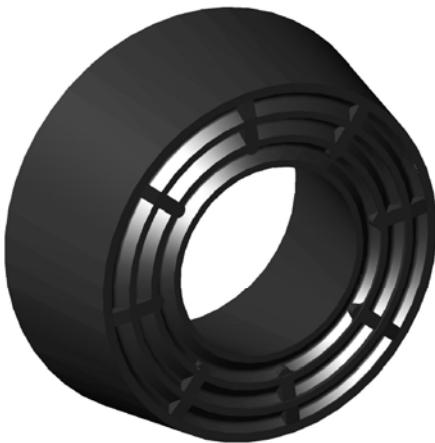
GR-4052 BALL JOINT



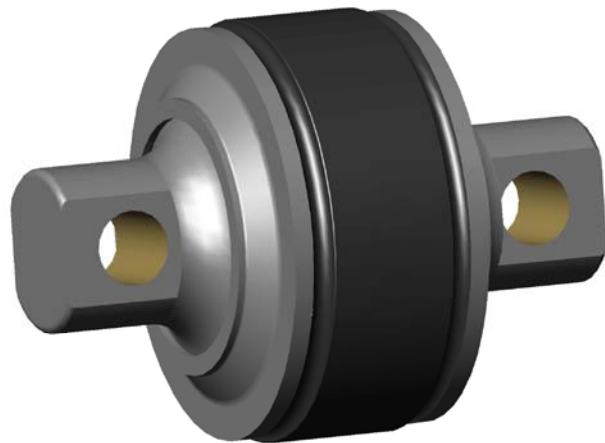
GR-4055 SPRING LEAF BUSH



GR-4058 CHASIS MOUNT



GR-4057 CONICAL BUSH



GR-4061 TIPPER PU. ROD BUSH